

PROAV Signal Monitor & Generator

MSP 200PRO



Format and Test Pattern Generation are just two of the many features of MSP200pro. MSP200pro allows on board preview of an HDMI (or optionally SDI) source along with format inspection. There is wave form monitoring and video monitoring capabilities too. Popular test patterns can be easily selected with motion or without, and time code can be generated and displayed allowing inspection frame delay. MSP200pro also includes a USB media input port as standard – use a MPEG4 or image as a test signal source, opening up many possibilities for producing bespoke testing configurations.

- Touch Screen control
- Output a range of signal types
- Set and select from a range of common output formats
- Audio Output test included
- Genlock Y & HS outputs
- Input live signals for preview and inspection
- Test using MPEG from USB Media as source
- On Board Test Pattern Generator
- On board Time Code Generator
- Genlock Y Input
- Remote Control via USB connection
- Preview digital input source on the display
- Output (pass through) digital input source for signal testing
- Portable, use mains-free with on board battery

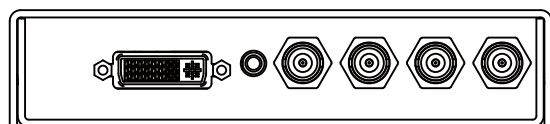
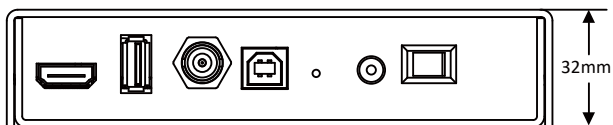
RGBlink®

Specifications

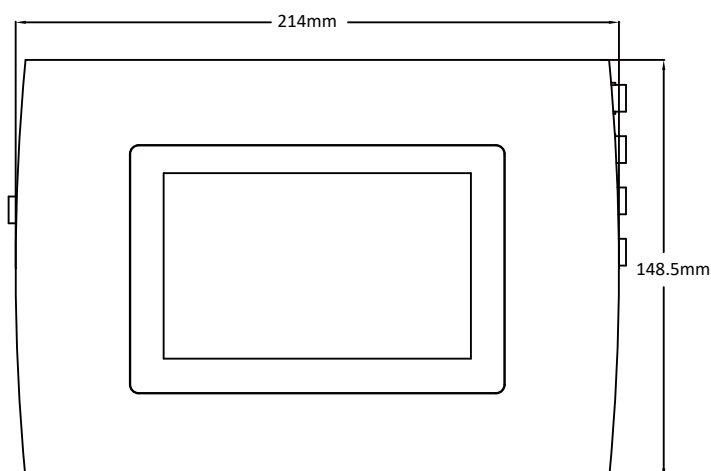
Connectors	Inputs	Standard:	1 × HDMI 1 × USB 1 × Genlock
		Option Module	1 × SDI
	Outputs	Standard	1 × SDI 1 × DVI 1 × CVBS 2 × Genlock 1 × Audio
Performance	Input Resolution	HDMI	SMPTE: 625/25/50 PAL 525/29.97/59.94 NTSC 720p50/59.94/60 1080i50/59.95/60 1080p50/59.94/60 1080psf VESA: 800x600@60 1024x768@60 1280x768@60 1280x1024@60 1600x1200@60 1920x1080@60
		SDI	625/25/50 PAL 525/29.97/59.94 NTSC 720p50/59.94/60 1080i50/59.95/60 1080p50/59.94/60 1080psf
	Output Resolution	SMPTE	487i@60 483P@60 576i@50 576P@50 720p@23.98/24/25/29.97/30/50/59.94/60 1080p@23.98/24/25/29.97/30/50/59.94/60
		VESA	640x480@60/75/85 800x600@60/75/85 1024x768@60/75/85 1028x1024@60/75/85 1028x800@60 1360x768@60 1366x768@60 1400x1050@60 1440x900@60 1600x1200@60 1680x1050@60 1920x1200@60 2048x1152@60 2560x812@60 2560x816@60
	Standard Supported	SDI	SD-SDI、HD-SDI、3G-SDI
	CVBS	PAL、NTSC	
	HDMI	1.3	
	DVI	1.0	
Power	External	Input Voltage	12DC (via Plug Pack)
		Max Power	12W
	Battery	Type	Lithium Ion
		Quantity	2pcs
		Voltage	3.7V
		Capacity	1500Mah
		Recharge Time	1 hr
Size	65mm (length) x 18mm (dia)		
Environment	Temperature	0°C~45°C	
	Humidity	10%~85%	
Physical	Weight	0.8kg (Net Weight)	
	Dimensions	219mm x 148.5mm x 32mm (Device Dimension)	

Order Codes

651-0200-01-0	MSP 200pro
490-5353-01-0	SDI Input Module for MSP200pro



Dimensions



WEB: www.rgblink.com EMAIL: sales@rgblink.com PHONE: +86 592 5771197
Proudly designed and manufactured in **Xiamen Hi Technology Zone, China**

RGBlink[®]



www.rgblink.com