

RGB20X-PTZ-WH 20X PTZ Camera



Front View



Rear View

Key Features

- High speed optical zoom
- High performance in low light scenarios with Wide Dynamic Range
- Full 1920x1080p HD Resolutions up to 60 frames per second
- H.265/H.264 Dual Stream Output Adapted to Different Network Environments
- Pan and Tilt Control
- Wide Application
- Low-power Sleep Function

Specification

| | | | |
|--------------------------|---|---|--|
| Connectors | Video(Output) | HDMI | 1×HDMI-A |
| | | SDI | 1×BNC |
| | | LAN | 1×RJ45 |
| | Audio | Input | 1×3.5mm Stereo Jack |
| Communication | RS232 | | 2×DIN 8 |
| | RS485 | | 1×2 Pin Connector |
| | Network | | 1×100Mbps (10/100BASE-TX) |
| Power | | | 1×HEC3800 DC Socket |
| Performance | Camera | Optical Zoom | 20X f=5.5~110mm |
| | | View Angle | 3.3°~ 54.7° |
| | | AV | F1.6 ~ F3.5 |
| | | Digital Zoom | 10X |
| | | Minimum Illumination | 0.5Lux (F1.8, AGC ON) |
| | | DNR | 2D & 3D DNR |
| | | White Balance | Auto/Manual/One Push/3000K/3500K/4000K/4500K/5000K/5500K/6000K/6500K/7000K |
| | | Focus | Auto/Manual |
| | | Aperture/Electronic Shutter | Auto/Manual |
| | | BLC | ON/OFF |
| | | WDR | OFF/Dynamic Level Adjustment |
| | | Video Adjustment | Brightness/Color/Saturation/Contrast/Sharpness/B/W mode/Gamma curve |
| | | SNR | >55dB |
| | Effective Pixels | 2.07m,16:9 | |
| | Pan-and-Tilt Parameter | Pan/Tilt Movement | -170°~+170°/-30°~+90° |
| | | Pan/Tilt Control Speed | 0.1~60°/S; 0.1~30°/S |
| | | Preset Speed/Quantity | Pan:60°/S, Tilt:30°/S; Up to 255 preset positions (10 remote control) |
| Audio Compression Format | AAC,MP3,G.711A | | |
| Video Compression Format | H.264, H.265,Dual Streaming Output | | |
| Output Resolutions | 720p25/29.97/30/50/59.94/60 1080p25/30/29.97/30/50/59.94/60 | | |
| Control Protocol | VISCA Pelco-D Pelco-P | | |
| Baud Rate(bps) | 115200 9600 4800 2400bps | | |
| Network Protocol | RTSP RTMP ONVIF GB/T28181 VISCA | | |
| Supported Standards | HDMI | 1.3 | |
| | SDI | SMPTE 425M (Level A & B) SMPTE 424M SMPTE 292M SMPTE 259M-C DVB-ASI | |
| Power | Input Voltage | DC12V/1.5A | |
| | Max Power | 12W | |
| Environment | Temperature | -10℃~50℃ | |
| | Humidity | 20%~80% | |
| Physical | Weight | Net | 1.4kg |
| | Dimension | Net | 150mm×150mm×167.5mm |

Order Codes

| Product Code | Item |
|---------------|------------------------------|
| 981-0011-02-0 | RGB20X-PTZ-WH 20X PTZ Camera |

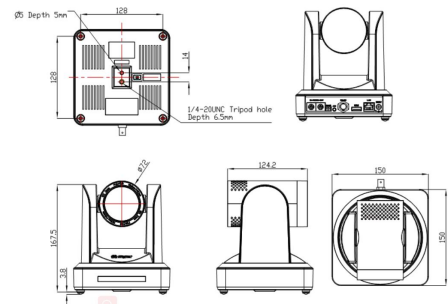
* There is no standard bracket for this PTZ. If necessary, please contact RGBlink sales for additional orders.

Tel: +86-592-5771197 | Fax: +86-592-5788216 | E-mail: sales@rgbink.com

Headquarter: S601 Weiye Building,Torch Hi-Tech Development Zone,Xiamen,Fujian,P.R.C.

Specifications are correct at time of printing and subject to change or alteration without notice.

Dimension



RGBlink
www.rgbink.com

