

# RGB20X-USB-WH

## USB 3.0 PTZ Camera with 20X Optical Zoom



### Key Features

- Auto-focus technology
- Low noise and high SNR
- Up to 255 presets
- Pan and tilt control
- Wide application
- Low-power sleep function

### Specification

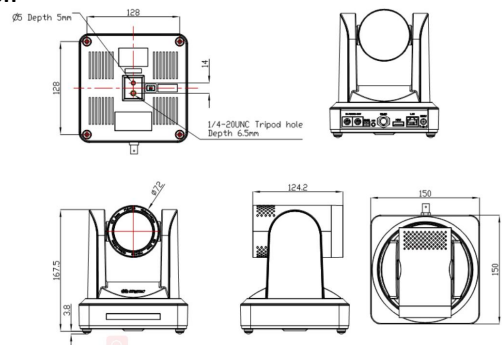
<b>Connectors</b>	Video(Output)	USB 3.0	1×USB-A
		HDMI	1×HDMI-A
	Communication	LAN	1×RJ45
		RS485	1×2 Pin Terminal Connector
	Power		1×HEC3800 DC Socket
<b>Performance</b>	Camera	Optical Zoom	20X f=5.5~110mm
		View Angle	3.3°~54.7°
		AV	F1.6~F3.5
		Minimum Illumination	0.5 lux (F1.8, AGC ON)
		DNR	2D & 3D DNR
		White Balance	Auto/Manual/One Push/3000K/3500K/4000K/4500K/5000K/5500K/6000K/6500K/7000K
		Focus	Auto/Manual/One Push
		Exposure	Auto/Manual
		BLC	ON/OFF
		Video Adjustment	Brightness/Color/Saturation/Contrast/Sharpness/B/W mode/Gamma curve
		SNR	>55dB
	Effective Pixels	2.07m,16:9	
	Pan-and-Tilt Parameter	Pan/Tilt Movement	-170°~+170°/-30°~+90°
		Pan/Tilt Control Speed	0.1~60°/S; 0.1~30°/S
		Preset Speed/Quantity	Pan:60°/S, Tilt:30°/S; Up to 255 preset positions (10 remote control)
	Video Compression Format	MJPEG   H.264   H.265	
	Control Protocol	VISCA   Pelco-D   Pelco-P	
	Network Protocol	RTSP   RTMP   ONVIF   GB/T28181   VISCA	
	Operating System	Windows 7   Windows8   Windows10   Mac osx   Linux	
	USB Communication Protocol	UVC	
<b>Power</b>	Input Voltage	DC12V	
	Max Power	2.5W	
<b>Environment</b>	Temperature	-10℃~50℃	
	Humidity	20%~80%	
<b>Physical</b>	Weight	1.4kg	
	Dimension	150mm×150mm×167.5mm	

### Order Codes

Product Code	Item
981-0011-13-0	RGB20X-USB-WH USB 3.0 PTZ Camera with 20X Optical Zoom

\* There is no standard bracket for this PTZ. If necessary, please contact RGBlink sales for additional orders.

### Dimension



Tel: +86-592-5771197 | Fax: +86-592-5788216 | E-mail: sales@rgbink.com

Headquarter: S601 Weiye Building, Torch Hi-Tech Development Zone, Xiamen, Fujian, P.R.C.

Specifications are correct at time of printing and subject to change or alteration without notice.

**RGBlink**

www.rgbink.com

