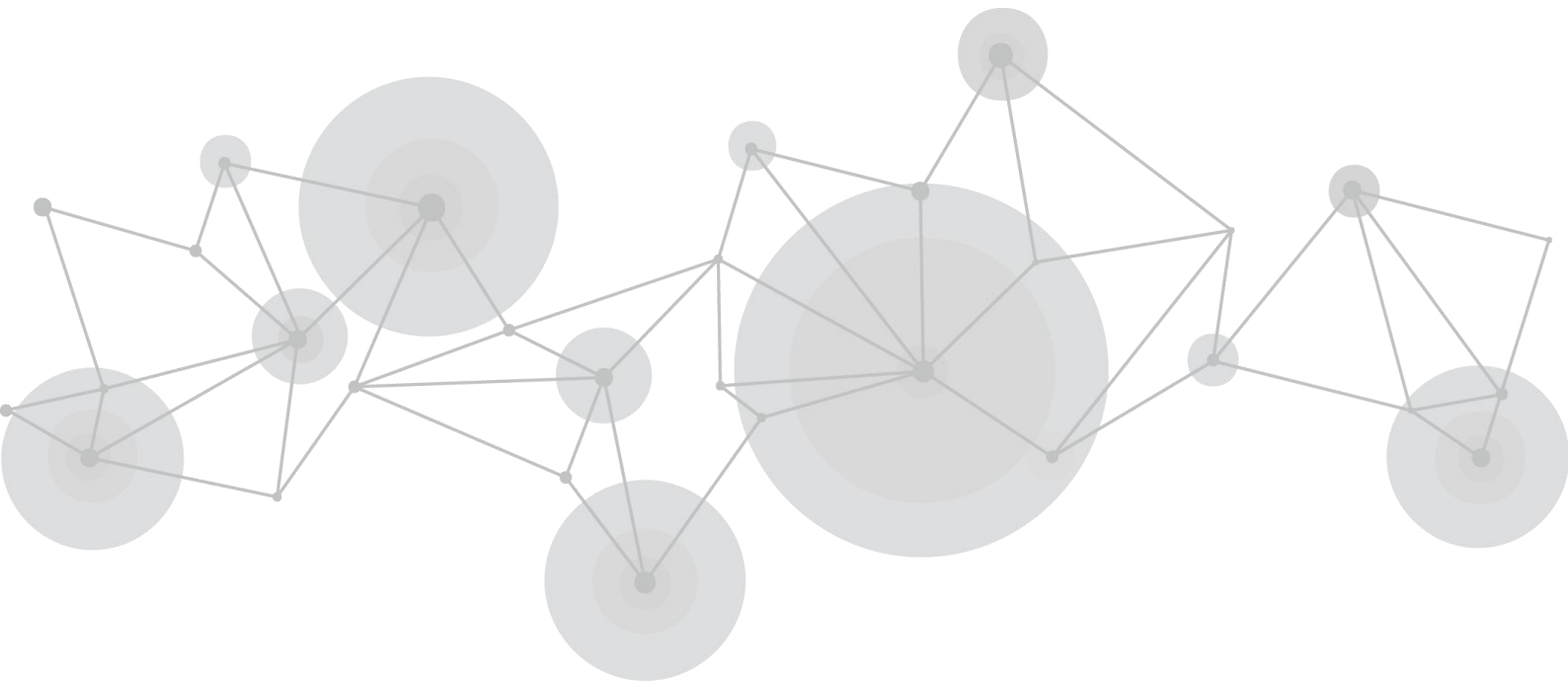


TAO 1tiny



User Manual

RGBlink[®]



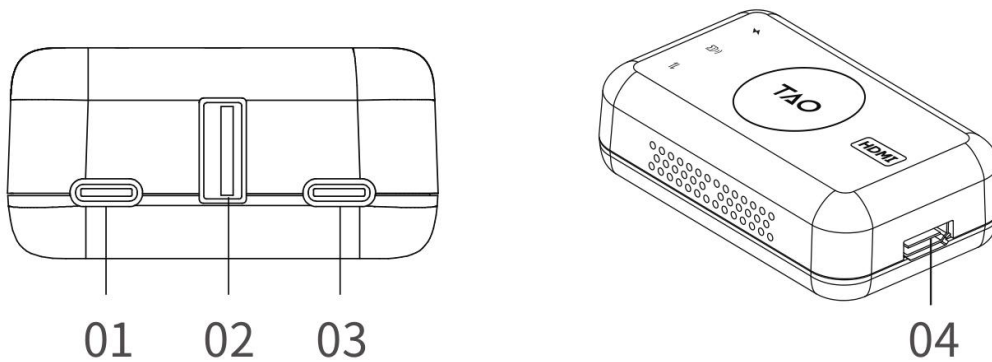
Overview

About TAO 1tiny

TAO 1tiny is the essential accessory for compact webcam and ePTZ camera users, enabling those cameras to become HDMI native devices connectable almost anywhere.

This tiny inline convertor- measuring at just 9x5x3cm, provides HDMI connectivity for cameras and similar USB-C UVC capture devices, supporting popular VESA standard resolutions up to 4K Video transcoded to HDMI is uncompressed with full fidelity maintained for superior visual performance.

Parts Info



- 01 Type C Power Port
- 02 USB 2.0 COM Port
- 03 USB Type C Input Port
- 04 HDMI 2.0 Output Port

Note:

- (1) If the input UVC signal is 4K@30 and the HDMI OUT connecting to 4K monitor,the output resolution up to 4K@60.
- (2) Power of Adapter is not less than:5V/2A/10W;Do not use the USB port of the computer for power supply.

Connecting TAO 1tiny

Installing TAO 1tiny

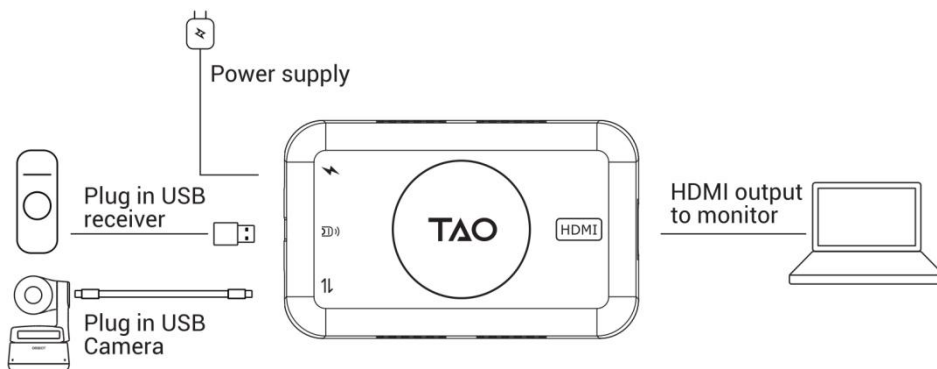
TAO 1tiny supports USB 3.0 (UVC compliance) to HDMI 2.0 output. It can work with USB camera and mini series.

1. How to Work With USB Camera

Please operate as shown in the following figure:

- (1) Connecting Power Port with power supply.
- (2) Connecting USB-C Input Port with USB Camera via USB-C cable.(TAO 1tiny can supply power to USB camera:5V/1A)
- (3) Connecting HDMI 2.0 Output Port with monitor via HDMI cable.

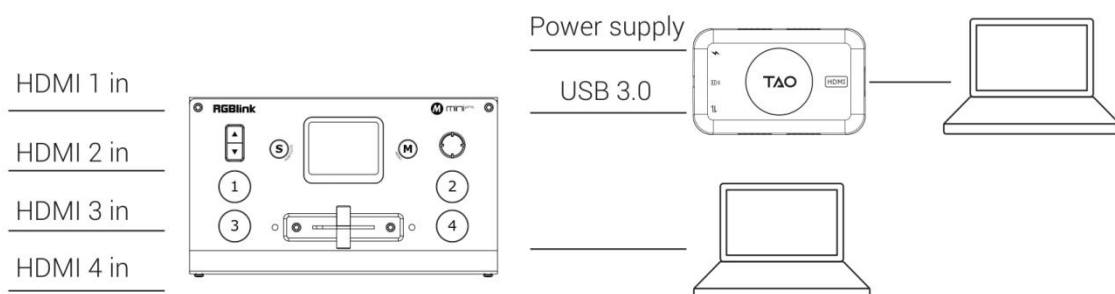
⚠ If necessary, you can plug in USB Receiver into USB 2.0 Port to control USB camera via remote control.



2. How to Work With mini Series

Please operate as shown in the following figure:

- (1) Connecting Power Port of TAO 1tiny with power supply.
- (2) Connecting mini-pro with USB-C Input Port via USB 3.0 to USB-C cable.
- (3) Connecting HDMI 2.0 Output Port with monitor via HDMI cable.



Firmware Upgrade

TAO 1tiny can be upgraded via USB disk. The device will auto-upgrade after plugging USB disk (including the latest upgrade firmware) to USB 2.0 port. The device will auto-restart after upgrade and you can find a file of upgrade done in the USB disk. Besides, the HDMI monitor will show the message of "Upgrade Done" and upgrade version.

⚠ Do not disconnect the device during firmware upgrade.



Content is subject to change without notice. Users can download latest Manual Book on www.rgblink.com

Warranty

All products are designed and tested to the highest quality standard and backed by 1 years parts and labor warranty. Warranties are effective upon delivery date to customer and are non-transferable. RGBlink warranties are only valid to the original purchase/owner. Warranty related repairs include parts and labor, but do not include faults resulting from user negligence, special modification, lighting strikes, abuse(drop/crush), and/or other unusual damages.Warranty is return to base.Return for repairs are accepted only where shipping charges are prepaid.

Your complete satisfaction is our goal.

According to the after-sale service,please contact our team as soon as possible after the failure occurs to obtain the corresponding after-sale service.

Headquarter: S601 Weiye Building Torch Hi-Tech Industrial Development Zone Xiamen, Fujian Province, P.R.C

- Tel: +86-592-5771197
- Fax: +86-592-5788216
- Customer Hotline: 4008-592-315
- Web:<http://www.rgblink.com>
- E-mail: support@rgblink.com