

RGB10X-USB-BK USB PTZ Camera with 10X Optical Zoom



Front View



Rear View

Key Features

- 70 degree wide-angle lens
- Auto-focus technology
- Low noise and high SNR
- Up to 255 presets
- Pan and tilt control
- Wide application
- Low-power sleep function

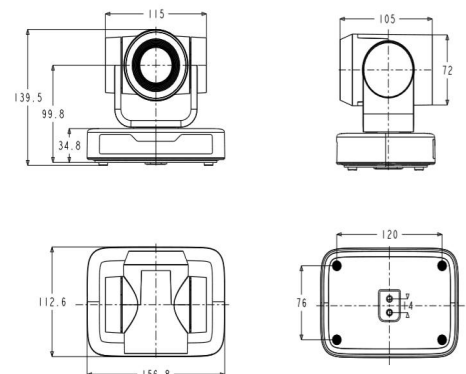
Specification

Connectors	Video(Output)	USB 2.0	1×USB-A
	Communication	RS232	2×DIN 8
		RS485	1×2 Pin Terminal Connector
	Power		1×HEC3800 DC Socket
Performance	Camera	Optical Zoom	10X f=4.34~41.66mm
		View Angle	8.8°~70°
		AV	F1.85 ~ F2.43
		Digital Zoom	10X
		Minimum Illumination	0.5 lux (F1.8, AGC ON)
		DNR	2D & 3D DNR
		White Balance	Auto/Manual/One Push/3000K/3500K/4000K/4500K/5000K/5500K/6000K/6500K/7000K
		Focus	Auto/Manual/One Push
		Exposure	Auto/Manual
		BLC	ON/OFF
		Video Adjustment	Brightness/Color/Saturation/Contrast/Sharpness/B/W mode/Gamma curve
	SNR	>55dB	
	Effective Pixels	2.07m,16:9	
Pan-and-Tilt Parameter	Pan/Tilt Movement	-170°~+170°/-30°~+90°	
	Pan/Tilt Control Speed	0.1~60°/S; 0.1~30°/S	
	Preset Speed/Quantity	Pan:60°/S, Tilt:30°/S; Up to 255 preset positions (10 remote control)	
Video Compression Format	MJPG H.264 H.265		
Output Resolutions	720p@25/30 1080p@25/30		
Control Protocol	VISCA Pelco-D Pelco-P		
Operating System	Windows 7 Windows8 Windows10 Mac osx Linux		
USB Communication Protocol	UVC		
Power	Input Voltage	DC12V/0.25A	
	Max Power	2.5W	
Environment	Temperature	-10℃~50℃	
	Humidity	20%~80%	
Physical	Weight	1kg	
	Dimension	156.8mm×112.6mm×139.5mm	

Order Codes

Product Code	Item
981-0011-12-0	RGB10X-USB-BK USB PTZ Camera with 10X Optical Zoom

Dimension



Tel: +86-592-5771197 | Fax: +86-592-5788216 | E-mail: sales@rgbink.com

Headquarter: S601 Weiye Building,Torch Hi-Tech Development Zone,Xiamen,Fujian,P.R.C.

Specifications are correct at time of printing and subject to change or alteration without notice.

RGBlink[®]

www.rgbink.com

