

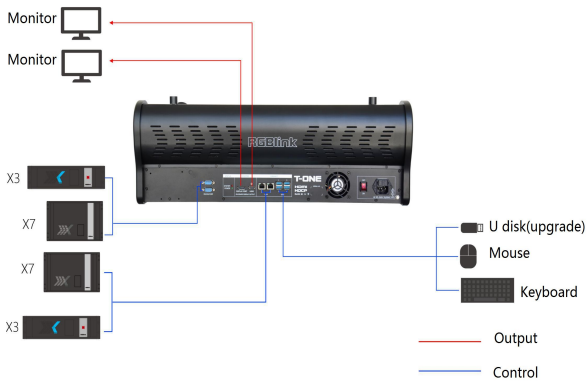
T1



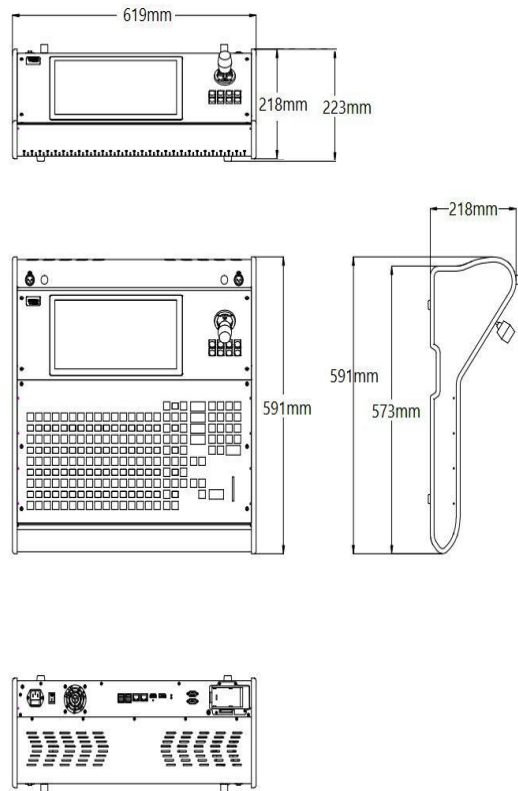
Key Features

- Control selected X series universal processors
- 14in touch screen display
- Import and export the settings via USB
- Auto sync to connected processor
- Stream preview H.264 enabled processors
- 14 inch full color backup menu output
- 3D Joystick control
- User customisable buttons with dedicated OLED legends
- Live controls including T-bar

Application



Dimension



Order Codes

Product Code	Item
250-0001-01-0	T1
980-0007-01-0	LED Gooseneck Lamp

Tel: +86-592-5771197 | Fax: +86-592-5788216 | E-mail: sales@rgbblink.com

Headquarter: S601 Weiye Building, Torch Hi-Tech Development Zone, Xiamen, Fujian, P.R.C.

Specifications are correct at time of printing and subject to change or alteration without notice.

RGBlink[®]
www.rgbblink.com



Specification

Connectors	Output	DP	1 x DisplayPort	
		HDMI	1 x HDMI-A	
	Communication	RS232	2 x RJ11	
		LAN	2 x RJ45	
USB 2.0		4 x USB-A		
	Power		1 x IEC	
Performance	Output Resolutions (Monitor)	<i>Select from below or configure customized</i> HDMI DisplayPort SMPTE 720p@23.98/24/25/50/59.94/60 1080p@23.98/24/25/50/59.94/60 800x600@60 1024x768@60 1280x720@60 1280x768@60 1280x800@60 1280x960@60 1280x1024@60 1360x768@60 1366@768@60 1440x900@60 1600x900@60 1600x1200@60 1680x1050@60 1920x1080@60		
	Supported Standard	HDMI 1.3 DisplayPort 1.0		
Power	Input Voltage	AC 85~264V 50/60Hz		
	Max Power	205W		
Environment	Temperature	0°C ~ 40°C		
	Humidity	10%~85%		
Physical	Weight	Nett	19.2kg	
		Packaged	36.5kg	
	Dimension	Nett	619mm*591mm*223mm	
		Packaged	668mm*648mm*349mm	

Tel: +86-592-5771197 | Fax: +86-592-5788216 | E-mail: sales@rgbblink.com

Headquarter: S601 Weiye Building, Torch Hi-Tech Development Zone, Xiamen, Fujian, P.R.C.

RGBlink[®]

www.rgbblink.com



Specifications are correct at time of printing and subject to change or alteration without notice.