

4K Ultra HD NDI Camera



Key Features

- 4K Ultra HD Image, with resolution up to 4K@60fps
- 12x optical zoom lens, with 80.4° FOV without distortion
- Fast, accurate and stable auto focus
- Low Noise and High SNR
- 4K output through LAN, HDMI and USB 3.0
- Multiple Audio/Video Compression Standard
- Multiple Control port and control protocol
- Multiple Network Protocol include RTMP,RTP,NDI,VISCA

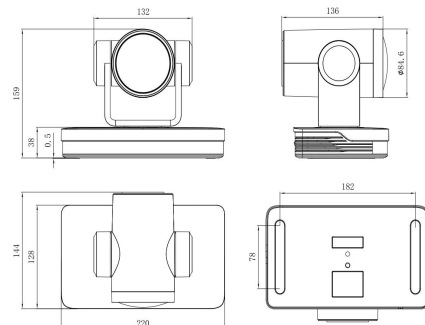
Specification

| | | | |
|--------------------------|---|---|--|
| Connectors | Video(Output) | HDMI | 1×HDMI-A |
| | | USB3.0 | 1×USB-B |
| | | LAN | 1×RJ45 |
| | Audio | Input | 1×3.5mm Stereo Jack |
| | Communication | RS232 In/Out | 2×DIN 8 |
| | | RS422 (RS485) | 1×4Pin Terminal |
| Performance | Camera | Optical Zoom | 12X |
| | | Focus | f=3.85 mm~ 43.06 mm ±5% |
| | | View Angle | Horizontal: 7.59°(tele)~80.4°(wide)Tilt:4.6°(tele)~50.0°(wide) |
| | | Effective Pixels | 8.51m,16:9 |
| | | Aperture | F1.8 ~ F3.56±5% |
| | | Minimum Illumination | 0.05 lux (F1.8, AGC ON) |
| | | DNR | 2D & 3D DNR |
| | | White Balance | Auto/Manual/One Push/Specified color temperature |
| | | Focus Mode | Auto/Manual/One Push |
| | | Explosure Mode | Auto/Manual/Shutter Priority/Iris Priority/Whiteness Priority |
| | Shutter Speed | 1/25~1/10000 | |
| | Dynamic range | OFF/Dynamic level adjustment | |
| | BLC | ON/OFF | |
| | Video Adjustment | Brightness/Color/Saturation/Contrast/Sharpness/B/W mode/Gamma curve | |
| | SNR | ≥50dB | |
| | Pan-and-Tilt Parameter | Pan/Tilt Rotation | -110°~+110°/-30°- +30° |
| | | Pan/Tilt Control Speed | 0.1~100°/S ; 0.1~70°/S |
| Preset Speed/Numbers | | Pan:100°/S, Tilt:70°/S; Up to 255 preset positions (10 remote control) | |
| Audio Compression Format | AAC,MP3,G.711A | | |
| Video Compression Format | LAN:H.264, H.265 | USB3.0: MGPG, H.264, YUY2, NV12 | |
| Output Resolutions | HDMI | 720p@50/60 1080i@50/60 1080p@25/30/50/60 2160p@25/30/50/60 | |
| | SMPTE | 720p@50/60 1080i@50/60 1080p@25/30/50/60 2160p@25/30/50/60 | |
| | USB 3.0 | 320×176@25/30 640×360@25/30 640×480@25/30 960 ×540@25/30 1280×720@25/30 1920×1080@25/30 | |
| | YUY2/NV12 | 320×176@25/30 640×360@25/30 640×480@25/30 960 ×540@25/30 1280×720@25/30 1920×1080@25/30 | |
| MJPEG/H.264/H.265 | 320×176@25/30 640×360@25/30 640×480@25/30 960 ×540@25/30 1280×720@25/30 1920×1080@25/30 | | |
| | 3840×2160@25/30 | | |
| Control Protocol | VISCA Pelco-D Pelco-P | | |
| Baud Rate(bps) | 115200 9600 4800 2400bps | | |
| Network Protocol | RTSP RTMP ONVIF GB/T28181 NDI VISCA | | |
| Power | Input Voltage | DC12V | |
| | Max Power | 12W | |
| Environment | Temperature | -10℃~50℃ | |
| | Humidity | 20%~80% | |
| Physical | Weight | Net | 1.7kg |
| | | Package | 3.5kg |
| | Dimension | Net | 220mm×144mm×159mm |
| Package | | 275mm×260mm×350mm | |

Order Codes

| Product Code | Model |
|---------------|---------------------------------------|
| 981-0011-10-0 | RGB12X-UNDI-WH 4K Ultra HD NDI Camera |

Dimension



Tel: +86-592-5771197 | Fax: +86-592-5788216 | E-mail: sales@rgbink.com

Headquarter: S601 Weiye Building, Torch Hi-Tech Development Zone, Xiamen, Fujian, P.R.C.

Specifications are correct at time of printing and subject to change or alteration without notice.

RGBlink[®]

www.rgbink.com

