

# MSP 314-2



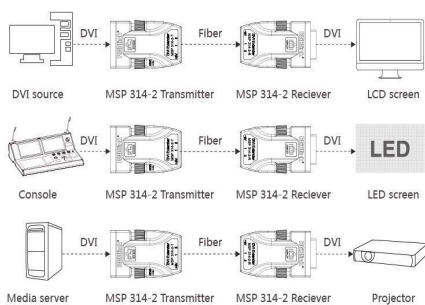
## Key Features

- Compatible with VESA resolutions up to WUXGA (1920x1600) 60Hz
- Transmit 500m by Multi Mode Fiber and 2000m by Single Mode Fiber to extend DVI signal
- Built-in WDM wave plate , 1310nm/1550nm laser diode as optical source
- EDID management
- Compact shell structure

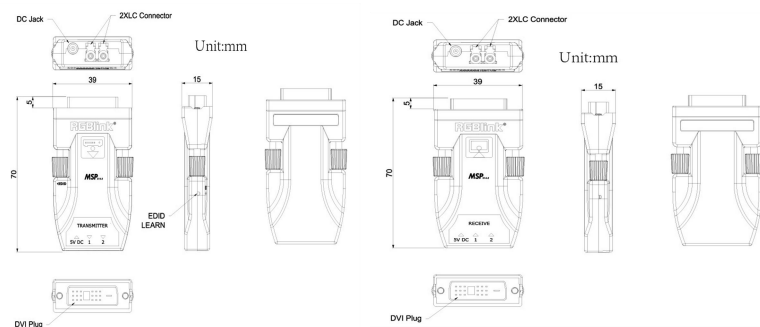
## Specification

Connectors	Input	Transmitter	1xDVI
		Receiver	2xLC
	Output	Transmitter	2xLC
		Receiver	1xDVI
Performance	Input Resolution	DVI SMPTE	480i@60   576i@60   720p@50/60   1080p@50/60
		VESA	800x600@60   1024x768@60   1280x768@60   1280x1024@60   1360x768@60   1400x1050@60   1440x900@60   1600x1200@60   1680x1050@60   1920x1080@60   1920x1200@60   2048x1152@60   2560x812@60   2560x816@60
	Output Resolution	DVI SMPTE	480i@60   576i@60   720p@50/60   1080p@50/60
		VESA	800x600@60   1024x768@60   1280x768@60   1280x1024@60   1360x768@60   1400x1050@60   1440x900@60   1600x1200@60   1680x1050@60   1920x1080@60   1920x1200@60   2048x1152@60   2560x812@60   2560x816@60
	Supported Standard	DVI	S-DVI
	Extend Distance	Multi-Mode	300M
	Single Mode	2KM	
	Single Mode	20KM (custom made)	
Power	Input Voltage	5V DC	
Physical	Weight	0.16kg	
	Dimension	70mmx39mmx15mm	

## Application



## Dimension



MSP 314-2 Transmitter

MSP 314-2 Receiver

## Order Codes

Product Code	Item
611-0001-01-0	MSP 314-2

Tel: +86-592-5771197 | Fax: +86-592-5788216 | E-mail: sales@rgbink.com

Headquarter: Room 601A, No. 37-3 Banshang community, Building 3, Xinke Plaza, Torch Hi-Tech Industrial Development Zone, Xiamen, China

Specifications are correct at time of printing and subject to change or alteration without notice.

**RGBlink**  
www.rgbink.com

