

# MSP 303

## SDI to HDMI Mini Converter



### Key Features

- Mini size
- All SMPTE signals compatible
- 3G/HD/SD SDI Input
- Embedded audio

### Specification

Connectors	Input	SDI	1xBNC
	Output	HDMI	1xHDMI-A
Performance	Input Resolution	SDI	SMPTE 480i@60   576i   720P@50/59.94/60   1080i@50/59.94/60   1080P@23.98/24/25/29.97/30/50/59.94/60
	Output Resolution	HDMI	SMPTE 480i@60   576i   720P@50/59.94/60   1080i@50/59.94/60   1080P@23.98/24/25/29.97/30/50/59.94/60 VESA 720x480@60   720x576@60   1280x720@60   1920x1080@23.98/24/25/29.97/30/50/59.94/60
	Supported Standard	SDI	SMPTE 425M (Level A & B)   SMPTE 424M   SMPTE 292M   SMPTE 259M-C   DVB-ASI HDMI 1.3
Power	Input Voltage	5-12V DC	
Physical	Weight	0.15kg	
	Dimension	98x47x24mm	

### Application

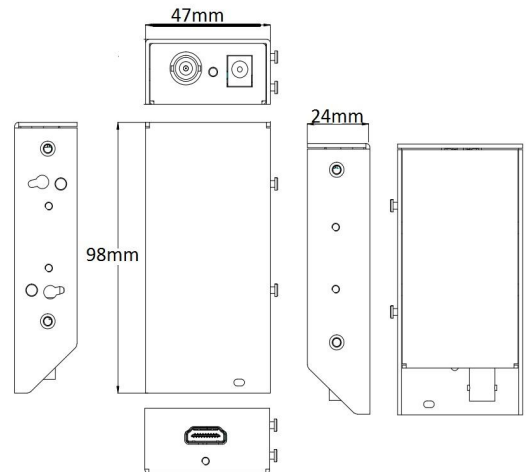


Wall mount



Rack mount

### Dimension



### Order Codes

Product Code	Item
601-0203-01-0	MSP 303

Tel: +86-592-5771197 | Fax: +86-592-5788216 | E-mail: sales@rgblink.com

Headquarter: Room 601A, No. 37-3 Banshang community, Building 3, Xinke Plaza, Torch Hi-Tech Industrial Development Zone, Xiamen, China

Specifications are correct at time of printing and subject to change or alteration without notice.

**RGBlink**  
www.rgblink.com

