

MSP 232

Pre-Amp for Microphone

Key Features

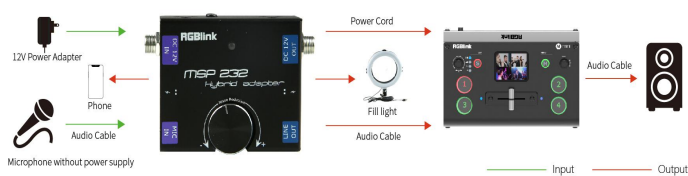


- Mic to line level pre-amp
- Variable impedance
- Textend microphone compatibility & device support
- Dual USB power outputs
- Convienent DC power thru

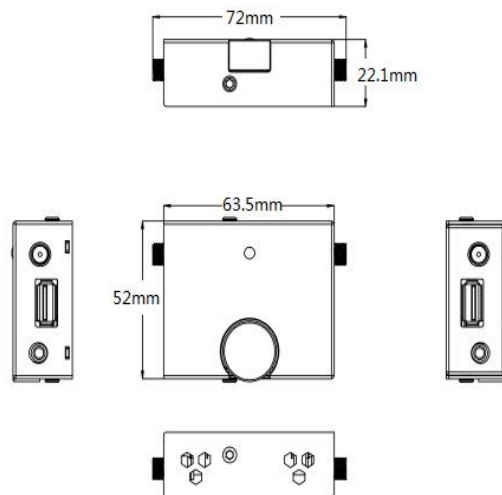
Specification

Connectors	Audio	Input	1×3.5mm Audio jack
		Output	1×3.5mm Audio jack
Power		Input	1×DC Power jack
		Output	1×DC Power jack
		USB	2×USB-A
Performance	Frequency Range	20Hz~20KHz	
	Input Impedance	180KΩ	
	Input Level	6.02dBV	
	Output Impedance	75Ω	
	Output Level	9.54dBV	
	Noise Reduction	250μV~20mV	
	Gain	65dB	
Power	Input	DC 12V/1.5A	
	Output	DC 12V/1.5A	
	USB Output	5V/1A(MAX) 5V/500mA (per port)	
Environment	Working Temperature	0°C ~50°C	
	Working Humidity	20%~90%	
Physical	Device Weight	100g	
	Device Size	72mm×52mm×22mm	

Application



Dimensions



Order Codes

Product Code	Item
601-0232-01-0	MSP 232

Tel: +86-592-5771197 | Fax: +86-592-5788216 | E-mail: sales@rgbink.com
 Headquarter: S601 Weiye Building, Torch Hi-Tech Development Zone, Xiamen, Fujian, P.R.C.



www.rgbink.com



Specifications are correct at time of printing and subject to change or alteration without notice.