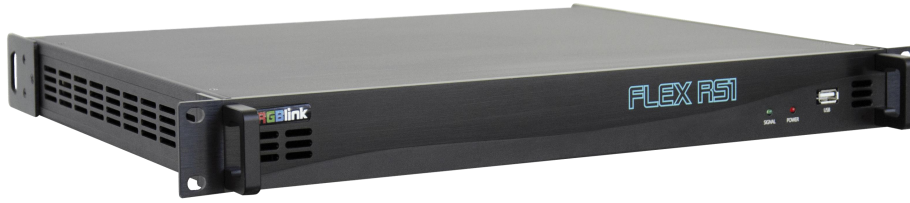


# FLEX RS1

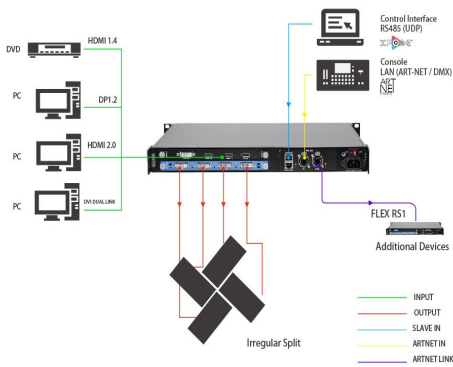


## Key Features

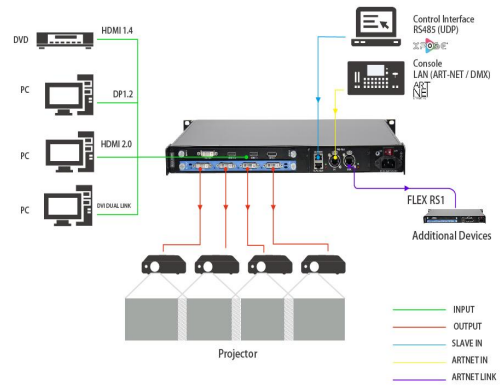
- 4K@60Hz Input, internal 4:4:4 processing and HDR compliance
- 3 Operation mode: Rotation, Projection, Independent
- Cascade multiple units for additional screens
- Rotate mode
  - Rotate each output independantly in 1 degree increment
  - Position output in pixel space
  - Support for multi-pitch with zoom/scale
- Projection
  - Apply variable edge blending across the 4 outputs in any arrangement
  - Create video walls up to 8Kx1K
- Independent
  - Each output resolution configurable
- Manage with XPOSE on Windows, Mac OS, IOS, Android or Linux

## Application

### Rotation



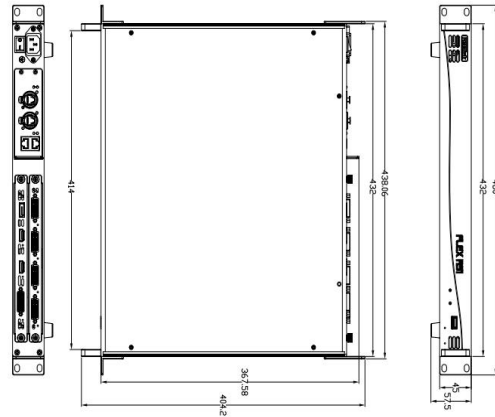
### Projection



## Order Codes

Product Code	Item
700-0001-01-0	FLEX RS1

## Dimensions



Tel: +86-592-5771197 | Fax: +86-592-5788216 | E-mail: sales@rgblink.com

Headquarter: Room 601A, No. 37-3 Banshang community, Building 3, Xinke Plaza, Torch Hi-Tech Industrial Development Zone, Xiamen, China

Specifications are correct at time of printing and subject to change or alteration without notice.



## Specification

<b>Connectors</b>	Input	1 slots up to 4 inputs Standard with 4K@60Hz Input Module 1 × DVI   2×HDMI-A   1×DisplayPort		
	Output	1slots, up to 4 outputs Standard with ARO Rotation Module 4 × DVI-I		
	Communication	RS485	Salve In Out 2× RJ45	
		Artnet	In  Link 2× RJ45 (Ethercon)	
	Power	1 x IEC		
<b>Performance</b>	Input Resolutions	DVI   HDMI 1.4 SMPTE 720p@50/59.94/60   1080i@50/59.94/60   1080p@50/59.94/60   2160p@30 VESA 800×600@60   1024×768@60   1280×720@50/59.94/60   1280×800@60   1280×960@60   1280×1024@60   1400×1050@60   1600×1200@60   1920×1080@50/59.94/60   2560×960@60  3840 x 2160@30 HDMI 2.0   DP 1.2 SMPTE 720p@23.98/24/25/29.97/30/50/59.94/60   1080p@50/59.94/60   2160p@30/60 VESA 800×600@60   1024×768@60   1280×768@60   1280×800@60  1280×1024@60   1360×768@60   1366×768@60  1400×900@60   1600×1050@60   1600×1200@60   1680×1050@60   1920×1080@60   1920×1200@60   2048×1080@60   2048×1152@60   2560×812@60   2560×960@60   2560×1600@60  3840×1080@60  3840×2160@30   3840×2160@60		
	Output Resolutions	Select from below or configure customized DVI SMPTE 720p@50/59.94/60   1080i@50/59.94/60   1080p@50/59.94/60 VESA 800×600@60   1024×768@60   1280×720@50/59.94/60   1280×800@60   1280×960@60   1280×1024@60   1400×1050@60   1600×1200@60   1920×1080@23.98/24/25/29.97/30/50/59.94/60		
	Supported Standard	DVI	Dual Link	
		HDMI	2.0	
	DisplayPort	1.2		
<b>Power</b>	Input Voltage	AC 90-264V 50/60Hz		
	Max Power	65W		
<b>Environment</b>	Temperature	0℃~40℃		
	Hudmidity	10%~85%		
<b>Physical</b>	Weight	Nett	2.5kg	
		Packaged	5.73kg	
	Dimension	Net	480mm×438mm×404mm	
		Packaged	540mm×460mm×135mm	

\*When EXT4F-OS Splicing Output is installed, any HDBaseT input must be configured to 1080p resolution.

Tel: +86-592-5771197 | Fax: +86-592-5788216 | E-mail: sales@rgbink.com

Headquarter: Room 601A, No. 37-3 Banshang community, Building 3, Xinke Plaza, Torch Hi-Tech Industrial Development Zone, Xiamen, China

Specifications are correct at time of printing and subject tochange or alteration without notice.

