

X¹

VENUS



**Simply Professional
Scaling and Switching**

RGBlink[®]



Next generation professional seamless switching and scaling

Innovative modular design. Simply plug in additional inputs to requirement. Bright OLED display, large illuminated buttons. Intuitive and easy to use.

Features

- Seamless switching between any source
- Scaling with configurable Horz & Vert offsets
- Image Enhancement
- Transition Effects
- Split function
- PIP from any source in any position and size
- Up to 2048x1152 @ 60Hz / 2560x1152 @ 50Hz
- On board EDID Management
- HDCP compliant
- Easy, intuitive operation
- Modular construction with innovative RGBlink plug-n-play architecture
- Add a wide range of input options to suit particular requirements
- Optional Wifi Hot Spot module for use with remote apps
- Optional Audio Management module

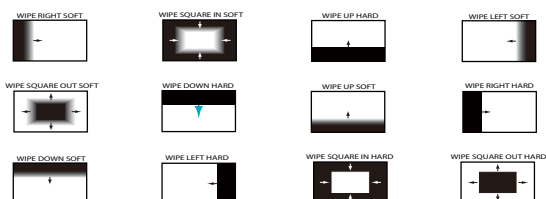
Seamless Switching

Switch between any input with any resolution seamlessly, with no black frame.



Transition Effects

Choose from a range of transitions to add further effect to displays.





Picture in Picture

Include a PIP from a range of stand positions including PBP (Picture-By-Picture) Pre-sets.



Remote Control

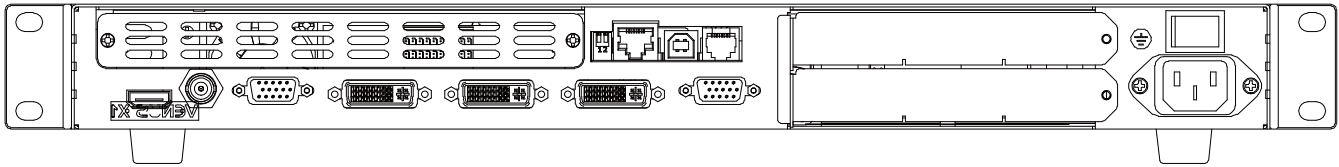
Standard Windows control software for remote control and update is included. Apps for Apple iPad and iPhone, as well as Android are available, extending the use of X1.



Input Options

Select from a wide range of input and other options to customise X1 to specific requirements, whether for rental or installation.



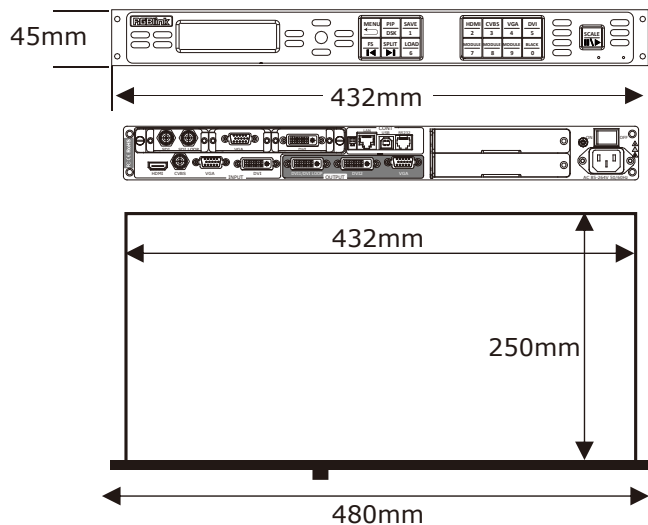


Specifications

Inputs	Standard	1xHDMI 1.3, 1xCVBS, 1xVGA/YPbPr, 1xDVI-I
	Optional Module Slots	3
Outputs	Optional Inputs	3x(HDMI/DVI/SDI(SD/HD/3G)/VGA/CVBS/USB/YPbPr), 1xAUDIO
	Standard	2xDVI-I 1xVGA
Communications Ports	Network	TCP/IP
	Serial	RS232
	USB	2.0
Performance	Input Resolution	DVI / HDMI: SMPTE: 625@25/50 PAL 525@29.97/59.94 NTSC 720p@50/59.94/60 1080p@50/59.94/60 1080i@50/59.94/60 VESA: 800x600@60 1024x768@60 1280x768@60 1280x1024@60 1600x1200@60 1920x1080@60 HDMI: SMPTE: 625@25/50 PAL 525@29.97/59.94 NTSC 720p@50/59.94/60 1080p@50/59.94/60 1080i@50/59.94/60 VESA: 800x600@60 1024x768@60 1280x768@60 1280x1024@60 1600x1200@60 1920x1080@60 VGA: 800x600@60 1024x768@60 1280x1024@60 1440x900@60 1600x1200@60 CVBS: PAL NTSC SDI: 480i 576i 720p@25/30/50/60Hz 1080i@50/59.94/60Hz 1080p@23.98/24/25/29.97/30/50/59.94/60Hz Select from standard set or select user configurable
	Output Resolution	SMPTE: 720p@50/60 1080p@50/60 VESA: 800x600@60 1024x768@60/75/85 1280x720@60/60 1280x800@60 1280x1024@60 1360x768@60 1366x768@60 1400x1050@60 1440x900@60 1600x1200@60 1680x1050@60 1920x1080@60 1920x1200@60 2048x1152@60 2560x816@60 *not all resolutions supported on VGA
	RatesRefresh	50 60 75
	Standards Supported	SDI: SMPTE 425M (Level A) SMPTE 424M SMPTE 292M SMPTE 259M-C DVB-ASI VGA: VGA-UXGA HDMI: 1.3 DVI: 1.0
	Grayscale Processing	10 bit
	Scaling Engine	10 bit
Features	Effects	Cut, Fade, Range of transitions
	Text Overlay/OSD/Subtitle/Banner Display	Standard (from Ver 1.2)
	EDID Management	standard
	Signal Backup	standard
	Remote Control Apps	Windows®, iPhone®, iPad®, Android®
Environment	Operation Temperature Range	0°C - 40°C
	Operation Humidity Range	10% - 85%
Electrical	Input Power	100V-240V 50/60-Hz Auto-ranging
	Max Power	65W
Physical	Format	1U 19" Rack Mounting
	Device Dimensions	480mm x303mm x 45mm
	Packed Dimensions	540mm x360mm x 135mm
	Device Weight	3.5kg
	Package Weight	5.2kg

Order Codes

Product Code	Item
190-0001-02-1	VGA Input
190-0001-03-1	Display Port
190-0001-04-1	DVI Input
190-0001-05-1	DVI Input/Loop Out
190-0001-07-1	SDI In/Loop Out
190-0001-08-1	HDMI In/Backup
190-0001-09-1	CVBS In/Backup
190-0001-10-1	USB In/Backup
190-0001-11-1	Audio Management*
190-0001-12-1	LAN/Wi-Fi/Hotspot Module*



HDMI® HDCP™

WEB: www.rgblink.com EMAIL: sales@rgblink.com PHONE: +86 592 5771197
Proudly designed and manufactured in Xiamen Hi Technology Zone, China

RGBlink®



www.rgblink.com